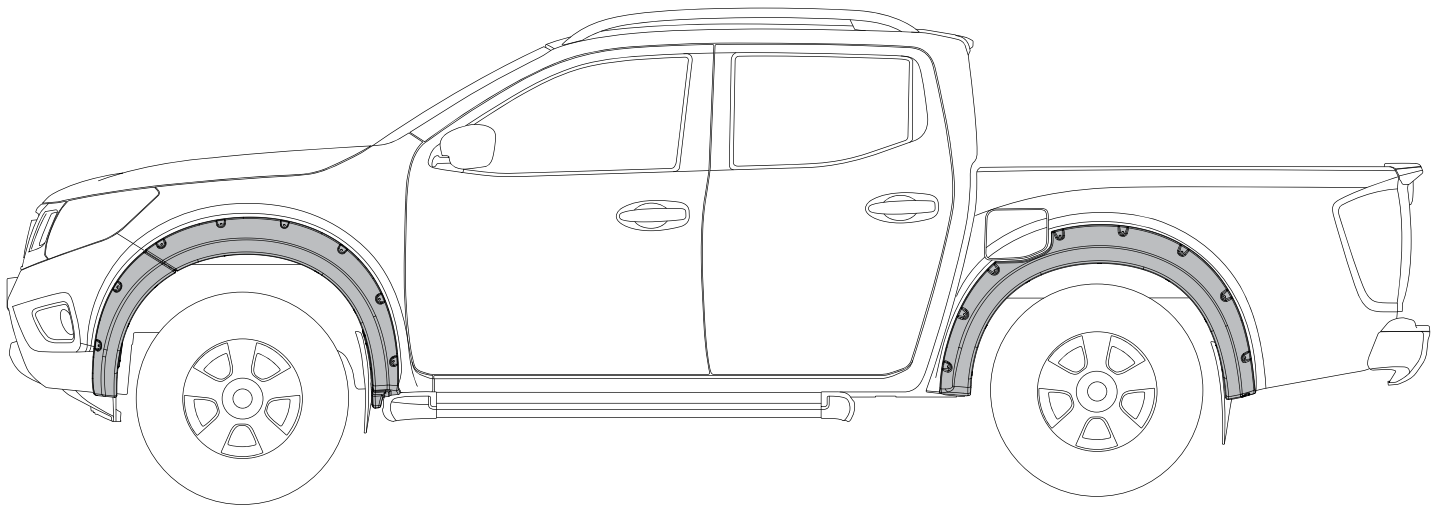


# Nissan Navara D23 2018 Fender Flares

## Installation Instructions



Installation Time: Approx. 105 mins

**Care Instructions:**

Clean vehicle with a mild detergent and water solution.

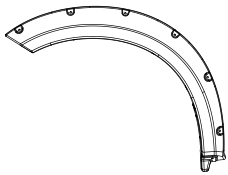


Do not use abrasive cleaners or solvents.

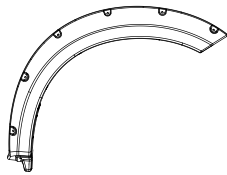
**Tools Required:**

- Stanley Knife
- T20 Torx
- Hack Saw or Suitable cutting Tool
- Masking Tape/Non Permanent Marker
- Safety Glasses
- No 2 Philips Head Screwdriver
- Safety Gloves
- 3/16 Allen Key
- 10mm Spanner

### Parts in Kit:

**1**

Front Fender Flare LH  
Qty - 1

**2**

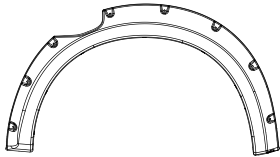
Front Fender Flare RH  
Qty - 1

**3**

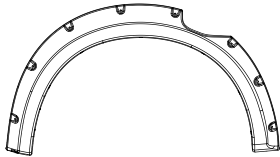
Front Bumper Flare LH  
Qty - 1

**4**

Front Bumper Flare RH  
Qty - 1

**5**

Rear Fender Flare LH  
Qty - 1

**6**

Rear Fender Flare RH  
Qty - 1

**7**

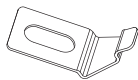
Fender Flare Extrusion  
700mm  
Qty - 2

**8**

Fender Flare Extrusion  
1500mm  
Qty - 2

**9**

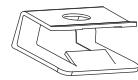
Fender Flare Extrusion  
2060mm  
Qty - 2

**10**

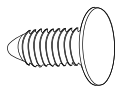
Screw Clip  
Qty - 4

**11**

C-Clip  
Qty - 10

**12**

Wide C-Clip  
Qty - 4

**13**

Fir-Tree Clip  
Qty - 4

**14**

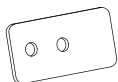
8mm Scrivet  
Qty - 2

**15**

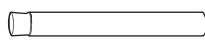
6mm Scrivet  
Qty - 8

**16**

Alcohol Wipes  
Qty - 4

**17**

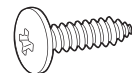
Rear Mud Flap Bracket  
Qty - 2

**18**

Primer Stick  
Qty - 8

**19**

Plastic Thread Clip  
Qty - 4

**20**

Black Wafer Head Screw  
Qty - 4

**21**

M6 Bolts  
Qty - 32

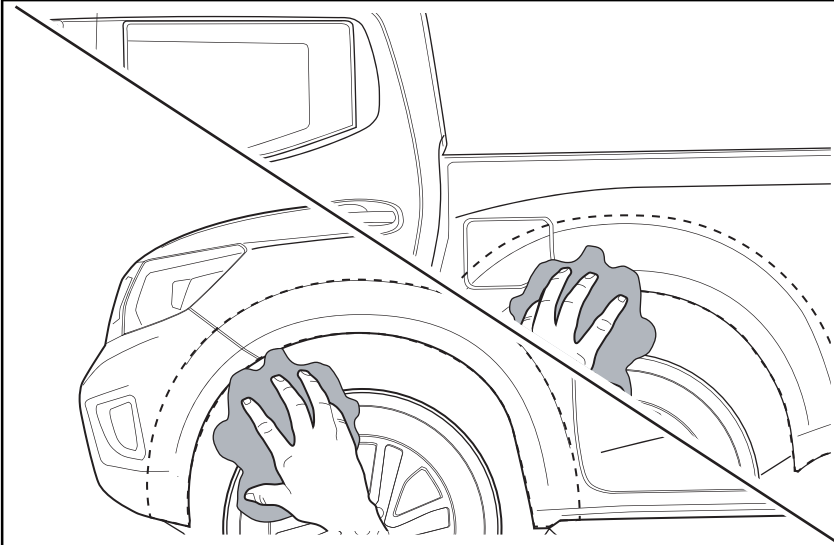
**22**

M6 Nyloc Nuts  
Qty - 32

**23**

Installation Manual  
Qty - 1

# FENDER FLARE INSTALLATION

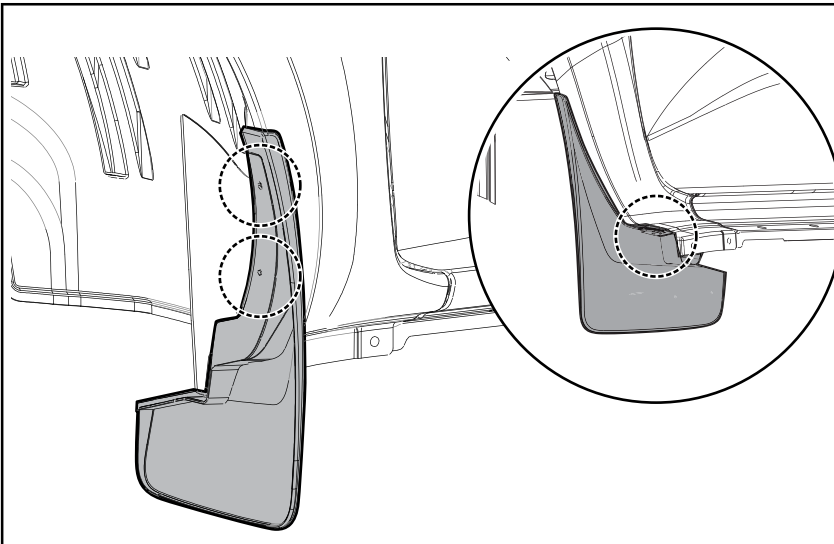


**Diagram: 1 - CLEAN CONTACT AREAS**

1. Wash and dry all contact areas of the vehicle.

Wipe all six fender flares inside and out with a clean cloth.

Take special care to ensure that the inside of the vehicle fender liners are clean.

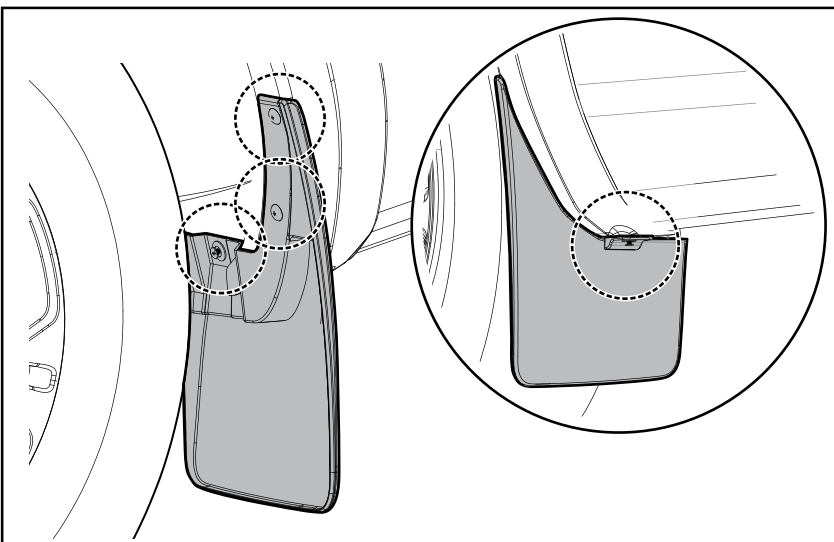


**Diagram: 2 - REMOVE FRONT MUD FLAPS**

2. Remove and retain the 3x Phillips self tapping screws securing the LHS front mud flap.

Remove the front mud flap from the vehicle and retain.

Repeat on RHS.



**Diagram: 3 - REMOVE REAR MUD FLAPS**

3. Remove and retain the 3x Phillips self tapping screws, and 1x clip securing the LHS rear mud flap.

Remove the rear mud flap from the vehicle and retain.

Repeat on RHS.

# FRONT FENDER FLARE INSTALLATION

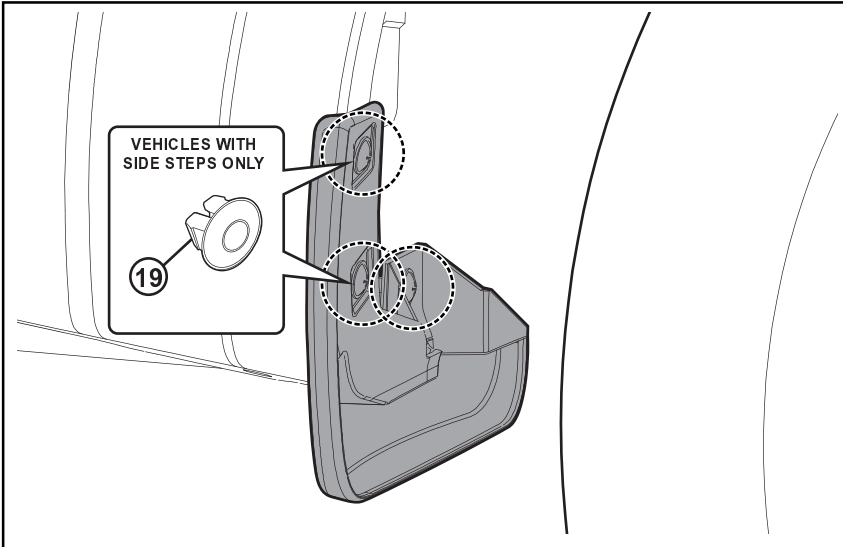


Diagram: 4 - REMOVE REAR AIR GUIDE

## 4. FOR VEHICLES WITHOUT SIDE STEPS

Remove and retain the 3x Phillips self tapping screws securing the LHS rear air guide (located in front of the rear wheel).

Remove the rear air guide from the vehicle and discard. Repeat on RHS.

## FOR VEHICLES WITH SIDE STEPS

Install 2x Plastic Thread Clips (19) . Repeat on RHS.

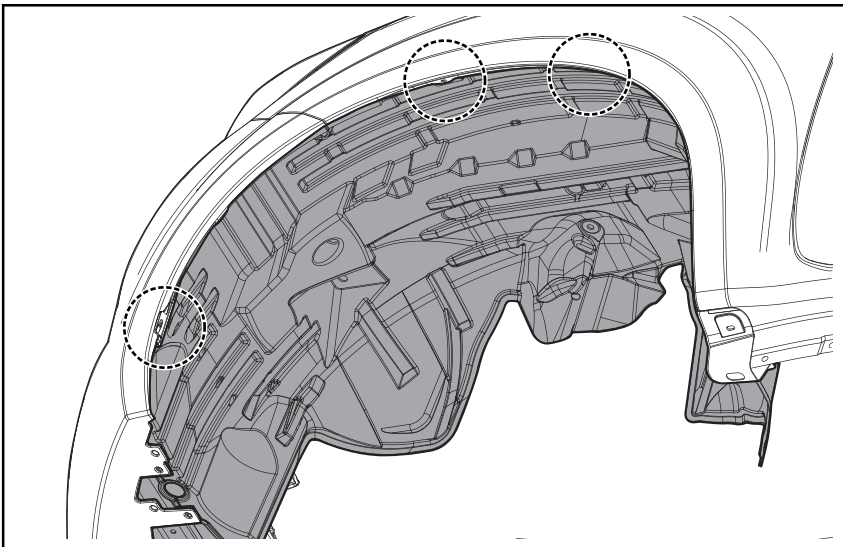


Diagram: 5 - REMOVE HARDWARE

## 5. Remove and retain the 3x T20 Torx screws from the LHS wheel arch liner.

Repeat on RHS.

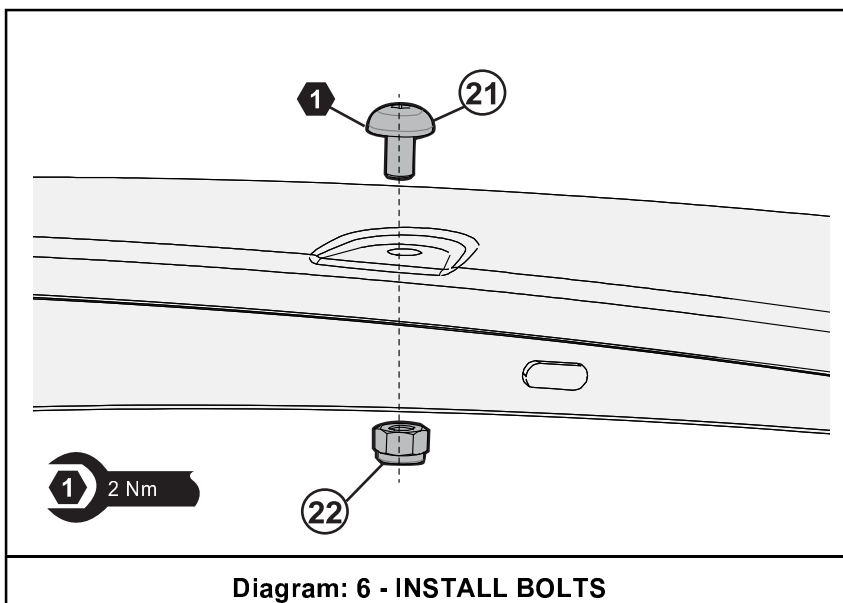


Diagram: 6 - INSTALL BOLTS

## 6. Install 2x M6 Bolts (21) and 2x M6 Nyloc Nuts (22) on the Front Bumper Flare LH (3). Torque to 2Nm.

Install 6x M6 Bolts (21) and 6x M6 Nyloc Nuts (22) on the Front Fender Flare LH (1). Torque to 2Nm.

Repeat on RHS.

## FRONT FENDER FLARE INSTALLATION

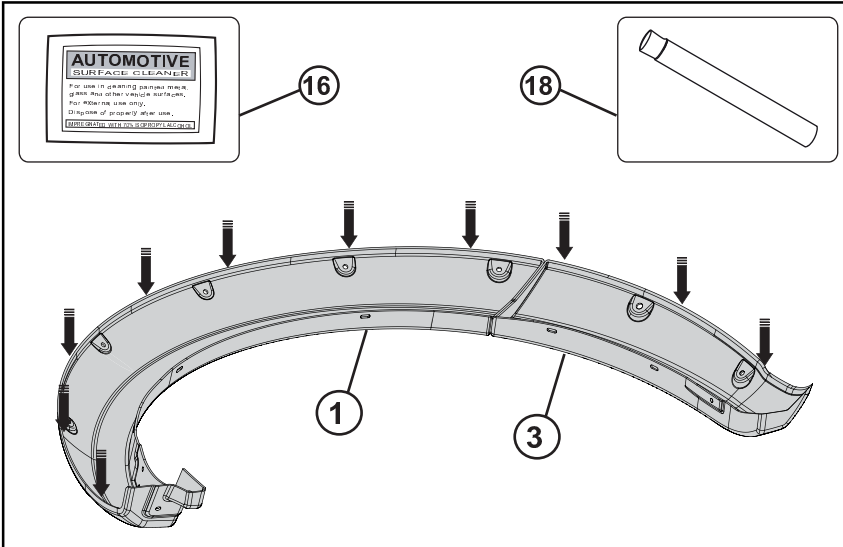


Diagram: 7 - PREPARE FRONT FLARES

7. Clean the inside top edge of the Front Fender Flare LH (1) and Front Bumper Flare LH (3) with an Alcohol Wipe (16).

Take special care to clean all areas where the Rubber Extrusion will adhere. (see step 8)

Apply Primer Stick (18) to cleaned area. Allow primer to dry for 3 minutes.

**CAUTION:** Flare may have sharp edges, wear protective gloves.

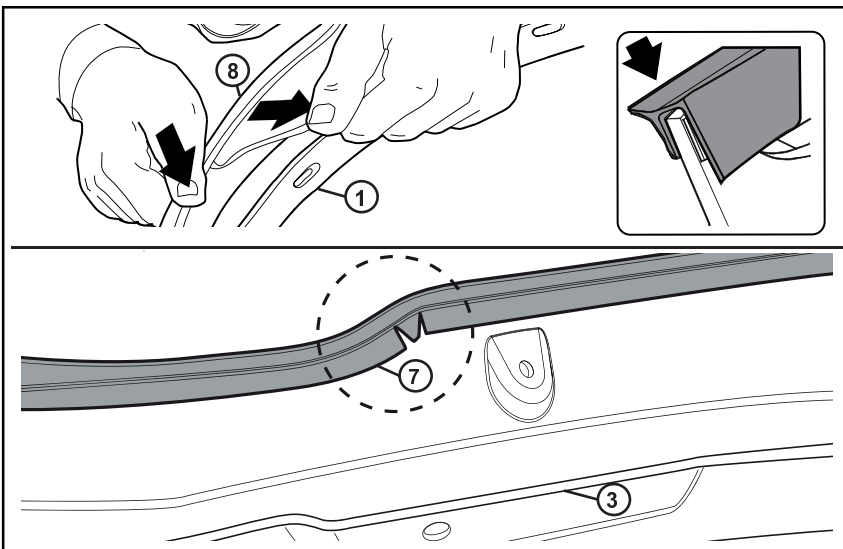


Diagram: 8 - APPLY EXTRUSION

8. Remove approx 50mm of protective liner from the inside of the Fender Flare Extrusion - 1500mm (8). Fit the Extrusion to the Front Fender Flare LH(1) as shown. Trim any excess.

Start at the exposed tag ends and fully remove the tape liner.

Repeat this process with 1x Fender Flare Extrusion - 700mm(7) and Front Bumper Flare LH(3).

Cut 2-3 triangle reliefs into the extrusion (as shown) to help the Fender Flare Extrusion - 700mm (7) conform to the shape of the Front Bumper Flare LH (3) as shown.

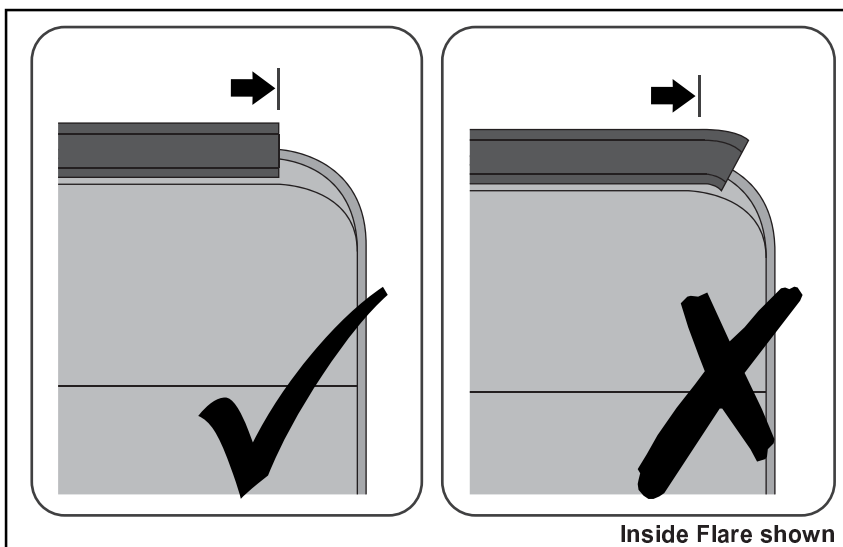
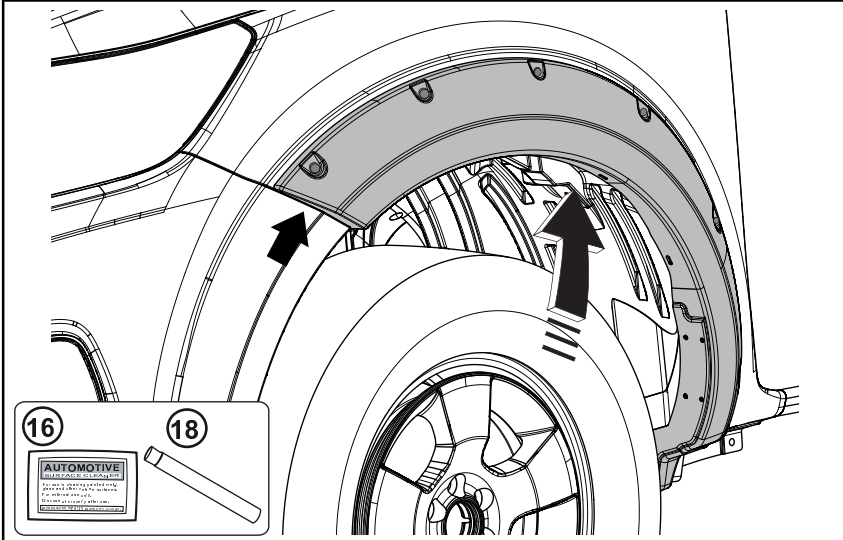


Diagram: 9 - TRIM EXTRUSION

9. **IMPORTANT:** Ensure that the Fender Flare Extrusion is cut to the base of the rounded corners with no overhang.

# FRONT FENDER FLARE INSTALLATION



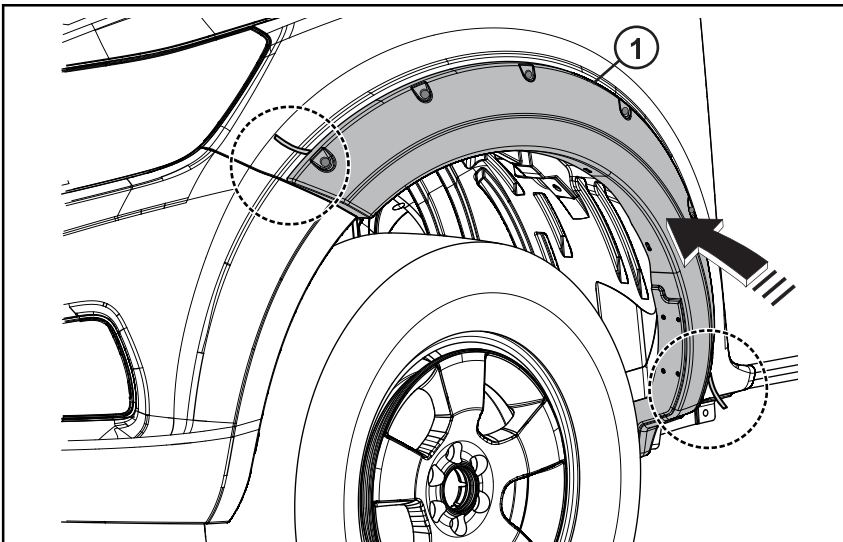
**Diagram: 10 - POSITION FRONT FENDER FLARE**

- 10.** Place the Front Fender Flare LH (1) onto the vehicle, aligning with the bumper, pushing up hard against the under side of the flare. Using a non-permanent marker or masking tape, mark the fender around the perimeter of the fender flare to clearly show where the flare sits on the vehicle.

Remove the fender flare.

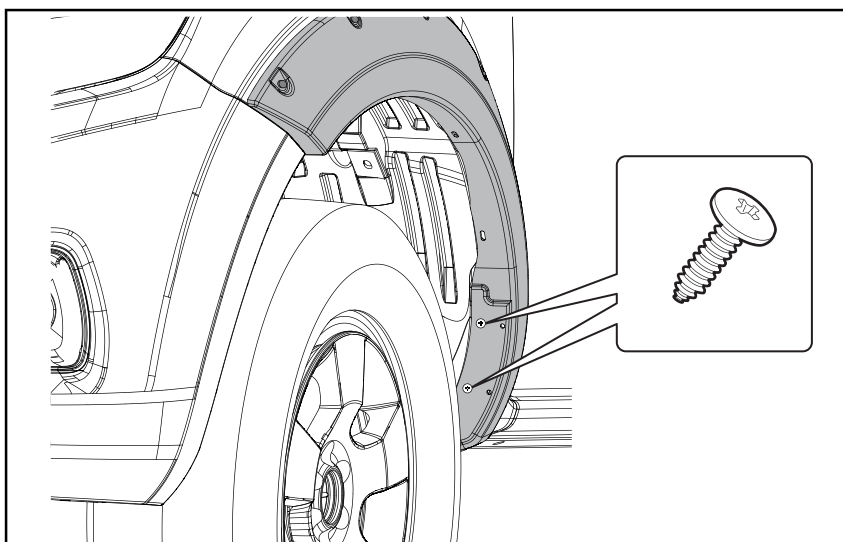
Clean the area with Alcohol Wipe (16). Apply Primer Stick (18) just below the marked line on the fender. Ensure the primer patch is the full width of the Primer Stick brush and follows the full perimeter of the flare.

Allow the primer to dry for 3 minutes.



**Diagram: 11 - PRE PEEL EXTRUSION**

- 11.** Peel back 50mm of red tape liner from each corner of the Fender Flare Extrusion - 1500mm (8). Fit the Front Fender Flare LH (1) to the vehicle as shown.



**Diagram: 12 - FIT SCREWS**

- 12.** Loosely fit 2x original Phillips screws as shown.

## FRONT FENDER FLARE INSTALLATION

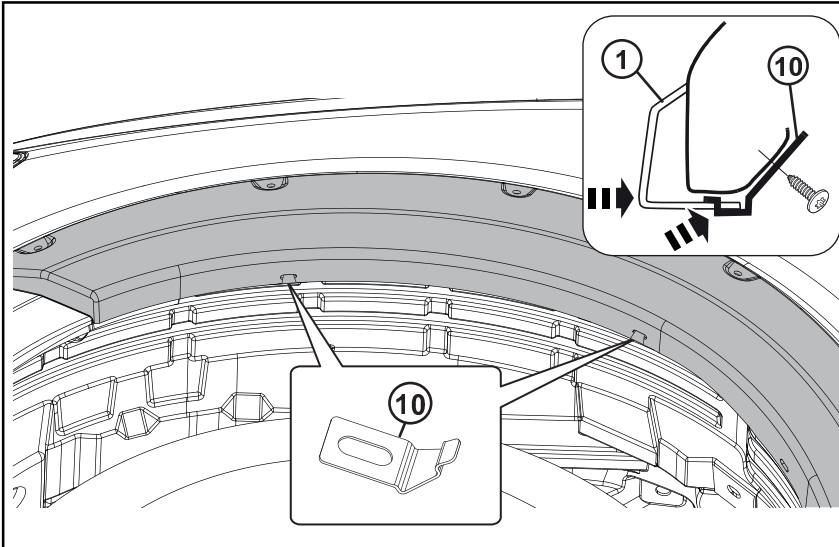


Diagram: 13 - FIT SCREW CLIPS

- 13.** Install 2x Screw Clips(10) as shown.

Install 2x original T20 Torx screws through the Screw Clips and the vehicle fender.

**IMPORTANT:** Tighten the T20 Torx screws, while applying good pressure against the screw clip and the Front Fender Flare to ensure there is no gap between the Fender Flare and the vehicle fender.

Tighten the 2x original Phillips screws in Step 12 above.

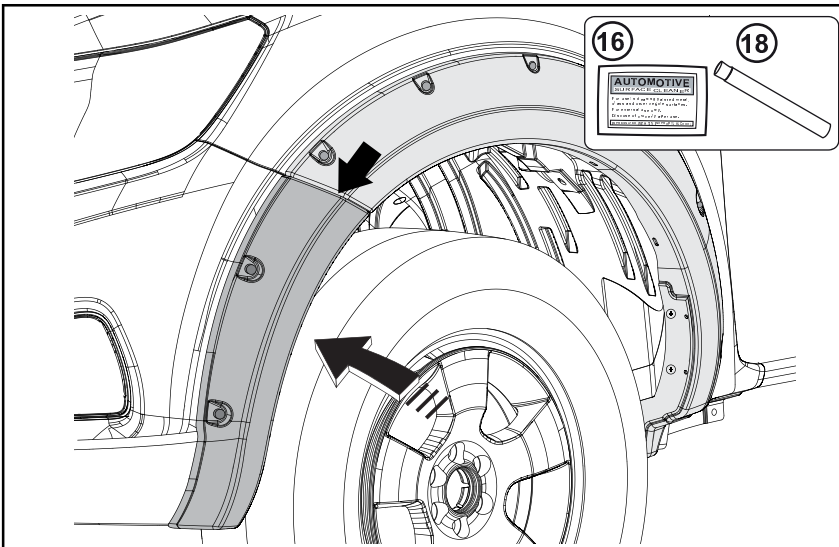


Diagram: 14 - POSITION FRONT BUMPER FLARE

- 14.** Place the Front Bumper Flare LH (3) onto the vehicle, aligning with the Front Fender Flare LH (1), and pushing up hard against the fender. Using a non-permanent marker or masking tape, mark the fender around the perimeter of the bumper flare to clearly show where the flare sits on the vehicle.

Remove the fender flare.

Clean the area with Alcohol Wipe (16). Apply Primer Stick (18) just below the marked line on the fender. Ensure the primer patch is the full width of the Primer Stick brush and follows the full perimeter of the flare.

Allow the primer to dry for 3 minutes.

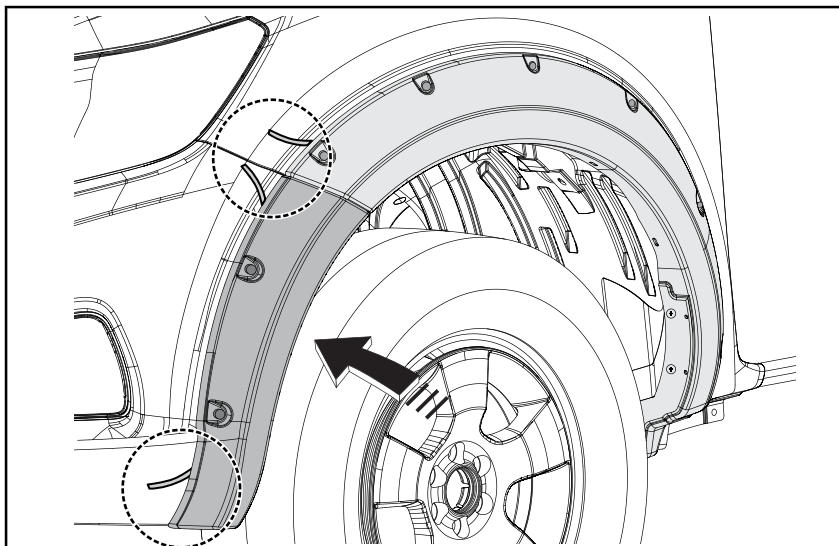


Diagram: 15 - PRE PEEL EXTRUSION

- 15.** Peel back 50mm of red tape liner from each corner of the Fender Flare Extrusion - 700mm (7). Fit the Front Bumper Flare LH (3) to the vehicle as shown.

# FRONT FENDER FLARE INSTALLATION

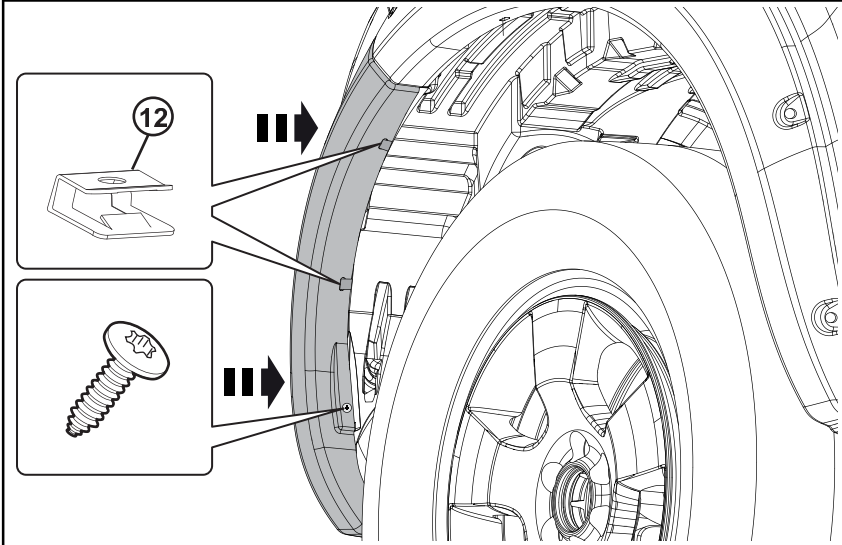


Diagram: 16 - FIT HARDWARE

16. Install 2x Wide C Clips(12) as shown.

Install 1x original T20 Torx screw in the other location as shown.

**IMPORTANT:** Tighten the T20 Torx screws, while applying good pressure against the Front Bumper Flare to ensure there is no gap between it and the vehicle fender.

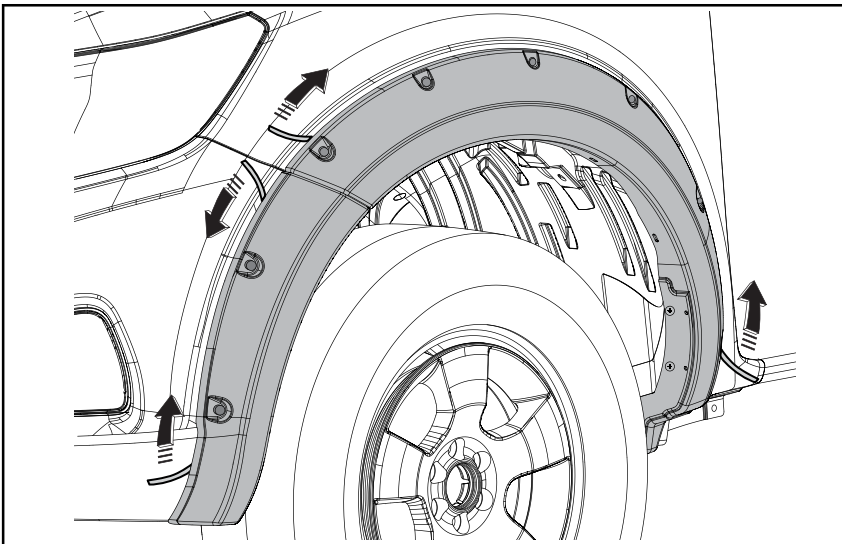


Diagram: 17 - PEEL EXTRUSION

17. Ensure that the Front Fender Flare LH (1) and Front Bumper Flare LH (3) are fully aligned.

Start at the exposed tag ends and fully remove the tape liner.

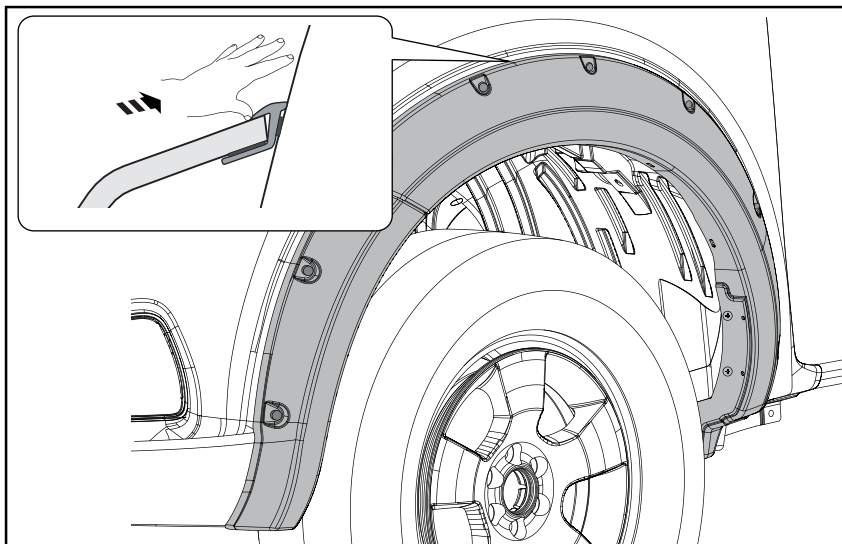
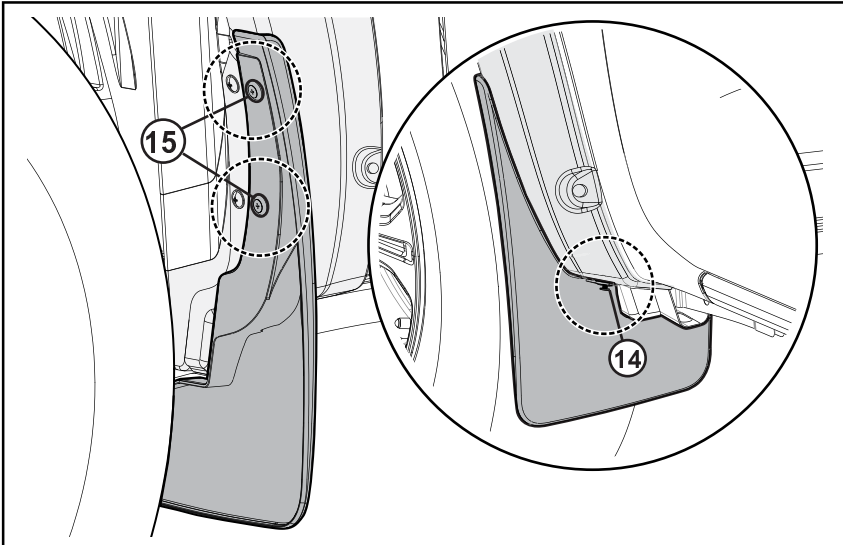


Diagram: 18 - APPLY FIRM PRESSURE

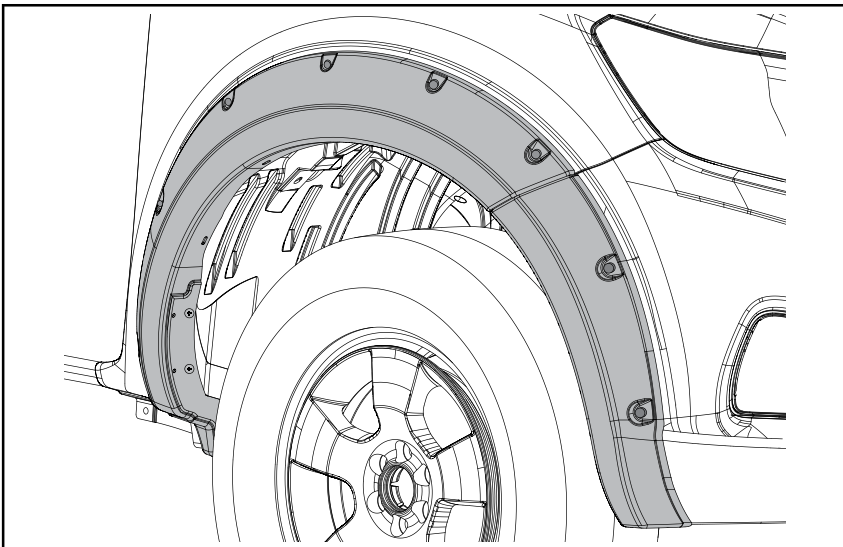
18. Use your thumb and / or fingers to apply firm pressure on the extrusion to ensure correct contact with the vehicle.

**IMPORTANT:** Ensure that firm pressure is applied around the full perimeter of the flares.



**Diagram: 19 - REINSTALL MUD FLAP**

- 19.** Reinstall the LHS mud flap using 2x 6mm Scrivet (15) and 1x 8mm Scrivet (14).

**Diagram: 20 - REPEAT FOR RHS**

- 20.** Repeat steps 7-19 on the RHS.

## REAR FENDER FLARE INSTALLATION

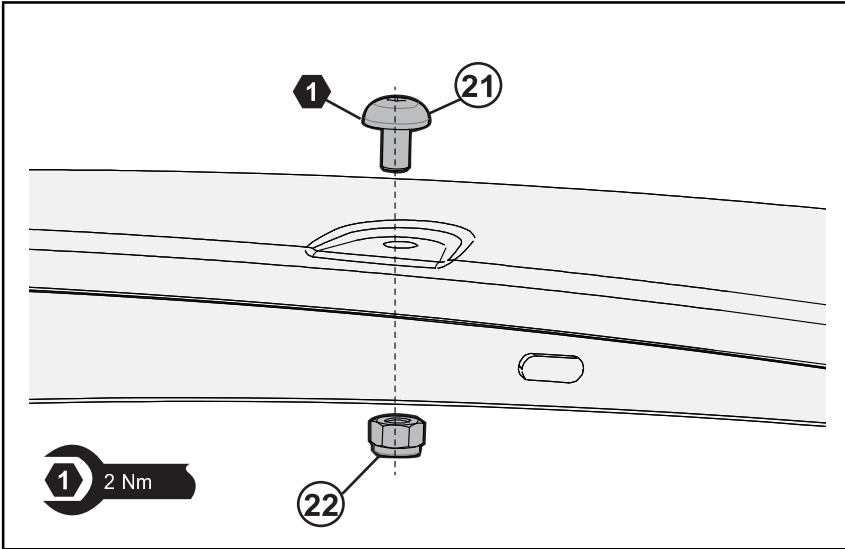


Diagram: 21 - INSTALL BOLTS

21. Install 8x M6 Bolts (21) and 8x M6 Nyloc Nuts (22) on the Rear Fender Flare LH. Torque to 2Nm.

Repeat on RHS.

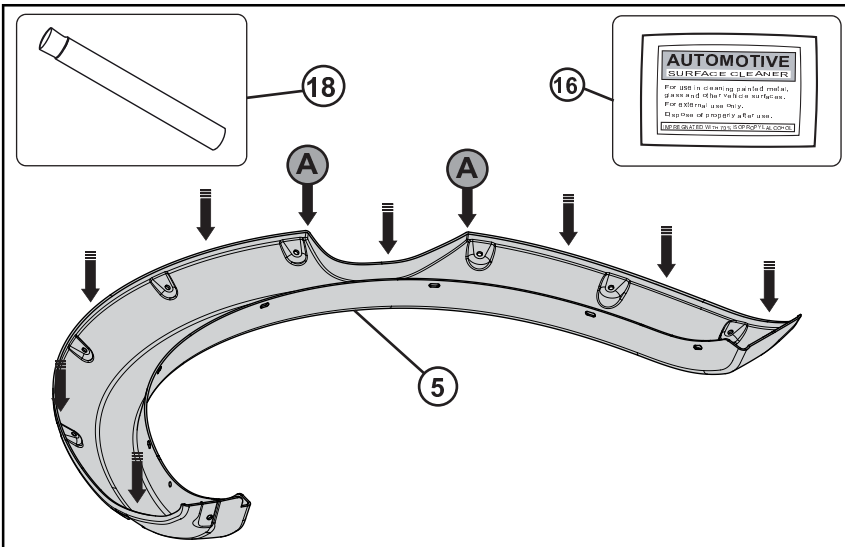


Diagram: 22 - PREPARE REAR FLARES

22. Clean the inside of the Rear Fender Flare LH (5) with an Alcohol Wipe (16).

Take special care to clean all areas where the Rubber Extrusion will adhere. (see step 8)

*CAUTION: Flare may have sharp edges, wear protective gloves.*

Apply Primer Stick (18) to the cleaned area. Allow primer to dry for 3 minutes.

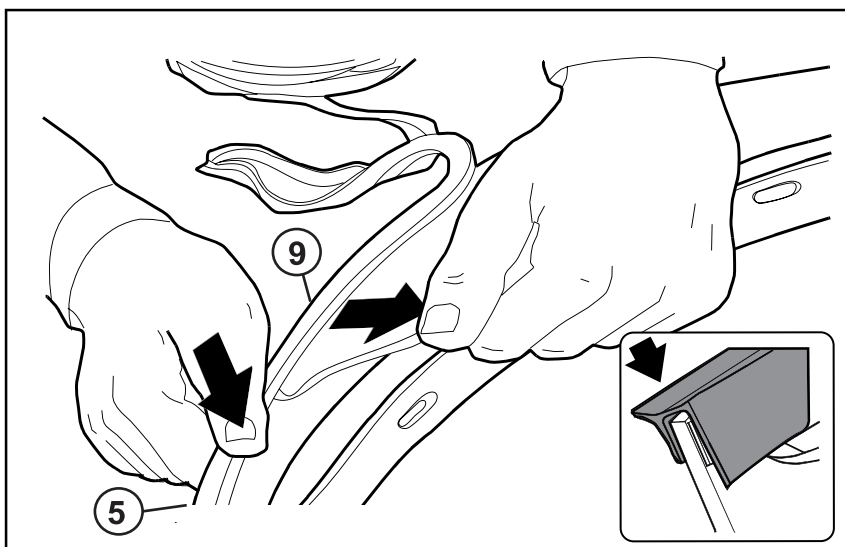
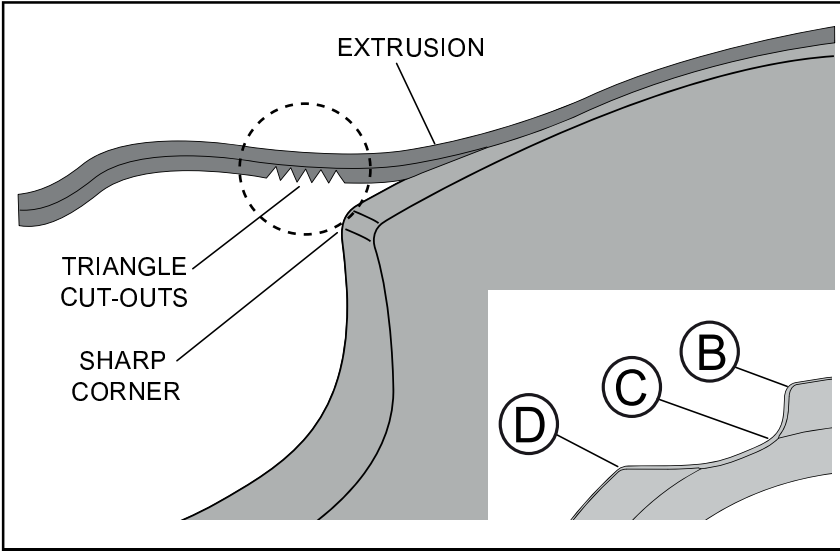


Diagram: 23 - APPLY EXTRUSION

23. Remove 50mm of protective liner from the Fender Flare Extrusion - 2060mm (9). Fit the Extrusion to the Rear Fender Flare LH (5) as shown.

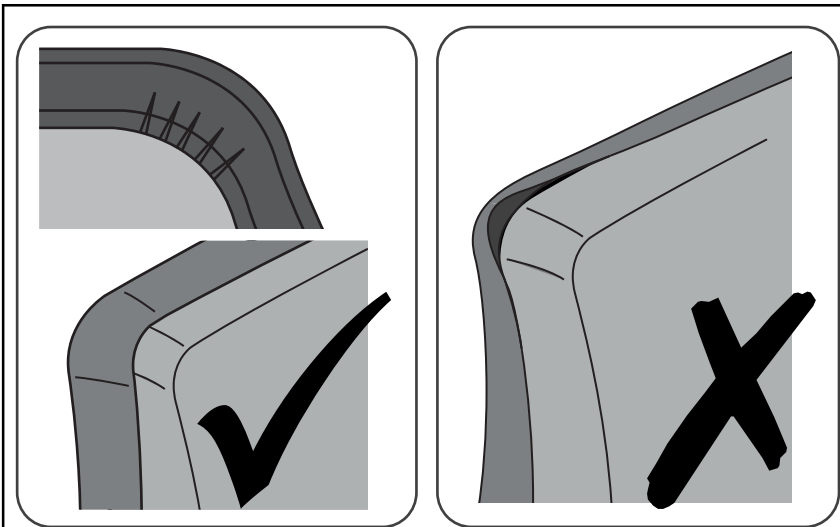
Start at the exposed tag ends and fully remove the tape liner.



**Diagram: 24 - EXTRUSION FITMENT**

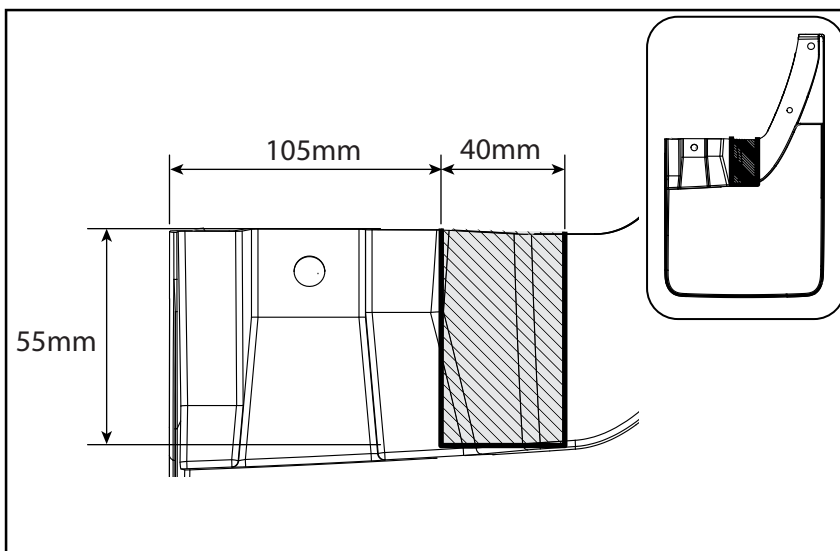
**24.** Notch the inside lip of the Extrusion to help it conform to the tight corners around the fuel filler cap (*Points 'A' shown in Step 22 Image*).

Cut five triangular reliefs in location B, eight in location C and four in location D (as shown).



**Diagram: 25 - CHECK EXTRUSION FIT**

**25. IMPORTANT:** Ensure the extrusion is conformed around the tight corners, creating a proper seal.



**Diagram: 26 - CUT MUD FLAP**

**26.** Trim the LHS rear mud flap using a stanley knife and the appropriate measurements as shown.

## REAR FENDER FLARE INSTALLATION

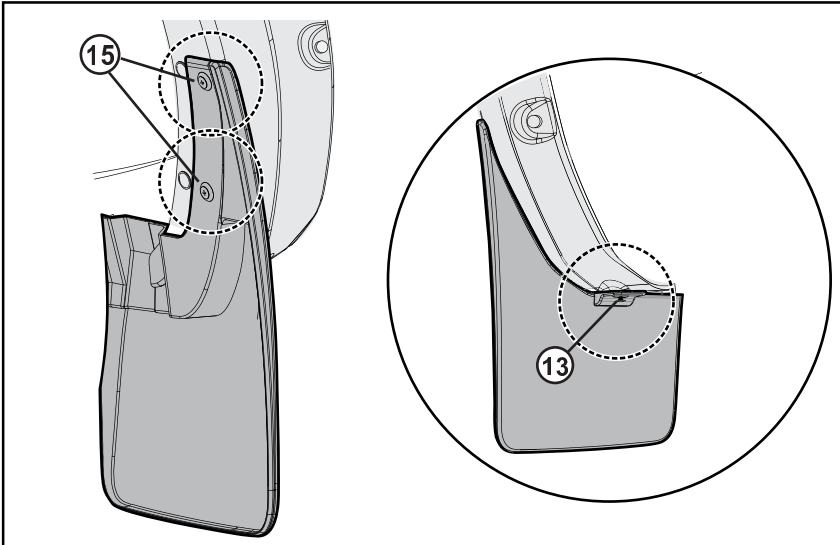


Diagram: 27 - ATTACH MUD FLAP TO REAR FLARE

- 27.** Fit the LHS rear mud flap to the Rear Fender Flare (5) using 2x 6mm Scrivets (15) and 1x Fir-tree Clip (13).

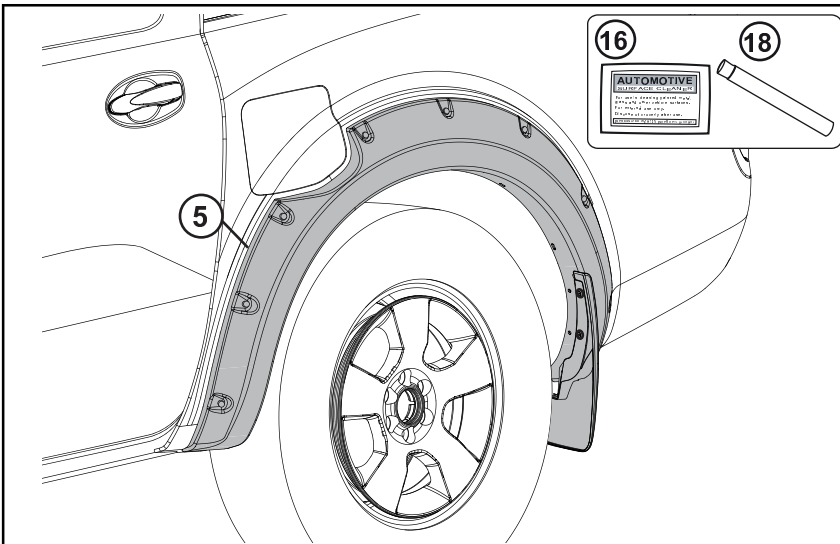


Diagram: 28 - POSITION REAR FENDER FLARE

- 28.** Place the Rear Fender Flare LH (5) onto the vehicle, pushing the flare up hard against the fender. Ensure the slots align with the holes in the fender.

Mark or make a note of where the flare contacts the fender. Using a non-permanent marker or masking tape, mark the fender around the perimeter of the fender flare to clearly show where the flare sits on the vehicle. Remove the fender flare.

Clean the area with Alcohol Wipe (16). Apply Primer Stick (18) just below the marked line on the fender. Ensure the primer patch is the full width of the Primer Stick brush and follows the full perimeter of the flare. Allow the primer to dry for 3 minutes.

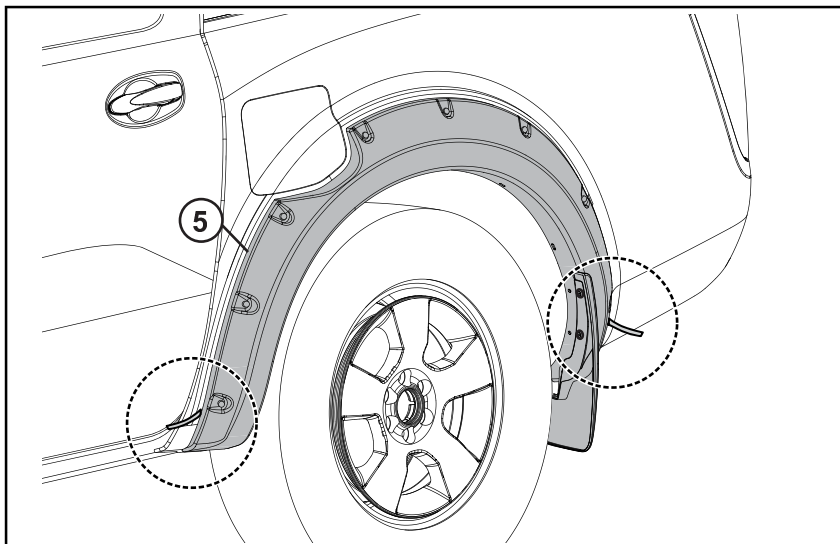


Diagram: 29 - PRE PEEL EXTRUSION

- 29.** Peel back 50mm of red tape liner from each corner of the Fender Flare Extrusion - 2060mm (9). Fit the Rear Fender Flare LH (5) to the vehicle as shown.

# REAR FENDER FLARE INSTALLATION

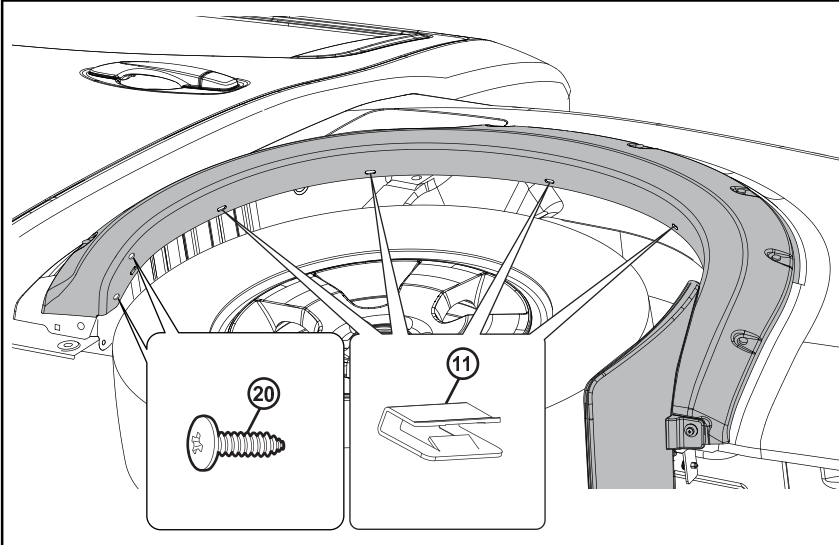


Diagram: 30 - FIT HARDWARE

**30.** Install 4x C-Clips (11) as shown.

**FOR VEHICLES WITHOUT SIDE STEPS**

Fix with 2x original Phillips screws previously used to retain the rear air guide.

**FOR VEHICLES WITH SIDE STEPS**

Fix with 2x Black Wafer Head Screws (20).

**IMPORTANT:** Tighten the screws, while applying good pressure against the Rear Fender Flare LH (5) to ensure there is no gap between it and the vehicle fender.

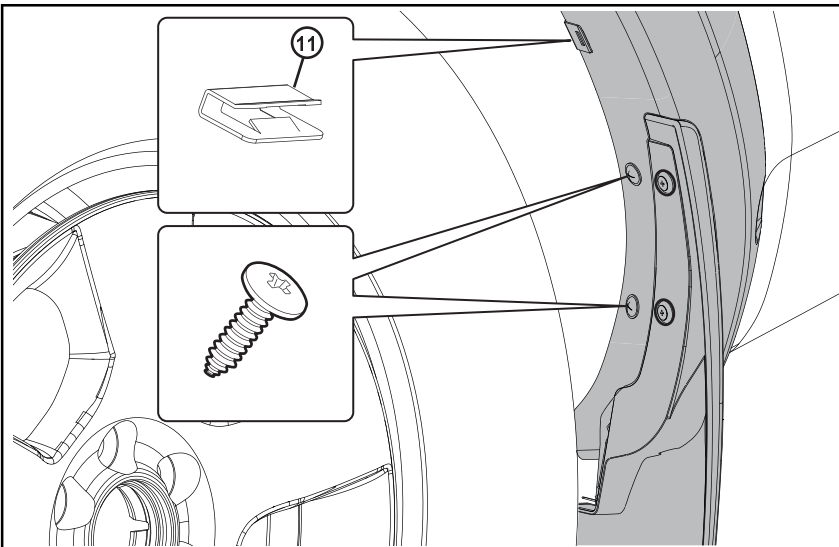


Diagram: 31 - FIT HARDWARE

**31.** Install 1x C-Clip (11) as shown.

Replace 2x original Phillips screws in the locations as shown.

**IMPORTANT:** Tighten the screws, while applying good pressure against the Rear Fender Flare (5) to ensure there is no gap between it and the vehicle fender.

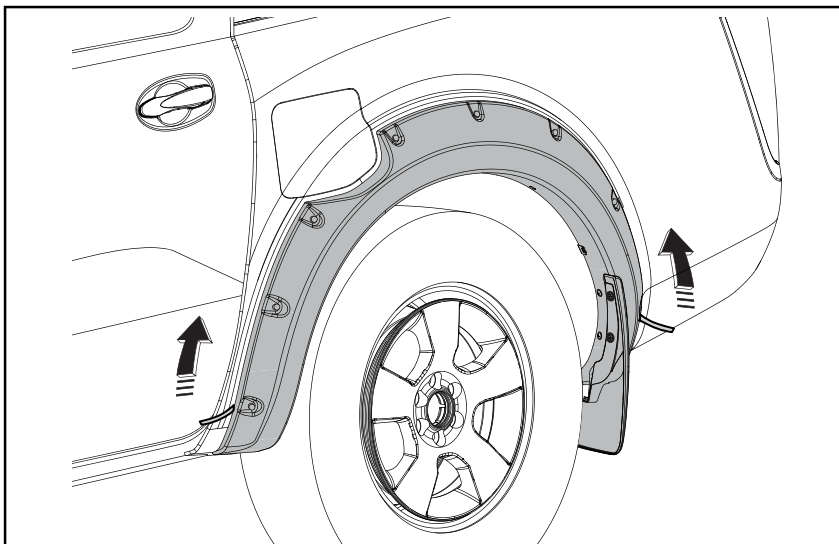


Diagram: 32 - PEEL EXTRUSION

**32.** Ensure that the Rear Fender Flare LH (5) is fully aligned.

Start at the exposed tag ends and fully remove the tape liner.

## REAR FENDER FLARE INSTALLATION

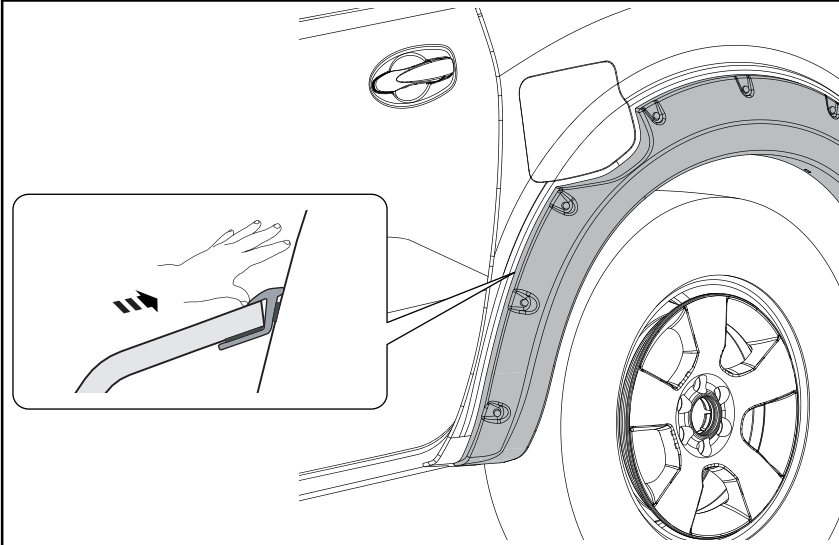


Diagram: 33 - APPLY FIRM PRESSURE

33. Use your thumb and / or fingers to apply firm pressure on the extrusion to ensure correct contact with the vehicle.

**IMPORTANT:** Ensure that firm pressure is applied around the full perimeter of the flares.

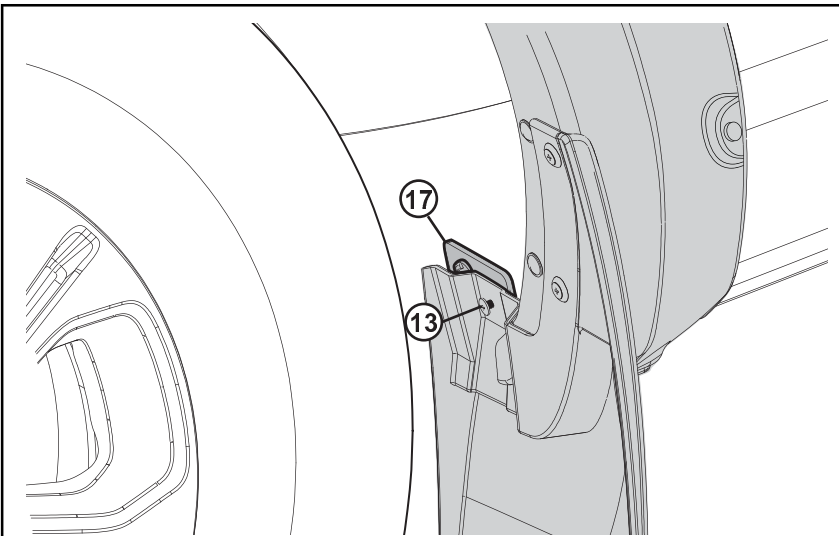


Diagram: 34 - SECURE MUD FLAP BRACKET

34. Install the Rear Mud Flap Bracket (17) to the vehicle using 1x original clip.

Fix the rear LH mud flap to the Rear Mud Flap Bracket (17) using 1x Fir-tree Clip (13).

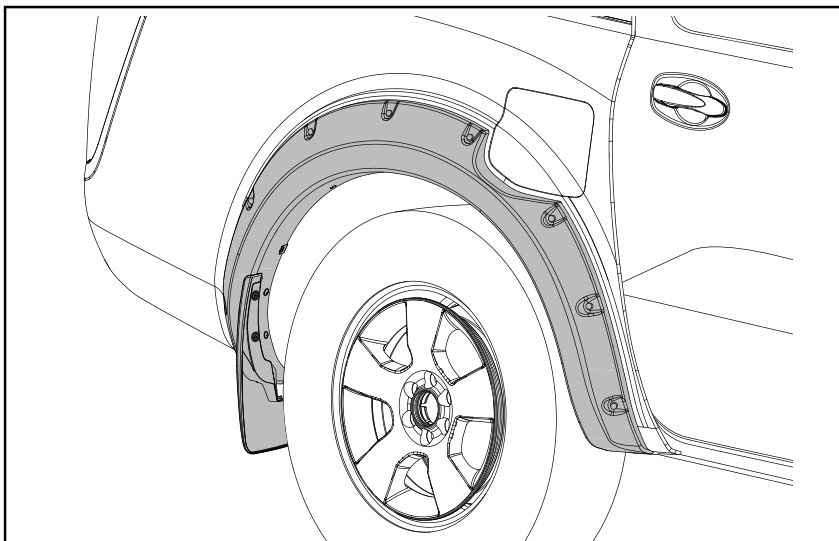


Diagram: 35 - REPEAT FOR RHS

35. Repeat steps 21 to 34 on RHS.

**IMPORTANT:** Do not wash the car for 24hrs

**Note:** Wipe down around the fender flares for any primer residue after 24hrs.